

# LED LIGHT UNIT (KLU-01)

## LED灯单元

# KKPIT<sup>®</sup>

Dreams ignite power

- This product contains small parts. Please keep out of reach of children and pets to prevent accidental swallowing.
- This product must be operated by individuals 14 years of age or older. Exercise caution during operation to avoid accidents or equipment damage due to improper use.
- Ensure the model's power supply is completely disconnected before installation to guarantee operational safety.
- Follow the manual's instructions strictly for correct wiring connection. Incorrect connections may cause short circuits and damage to the electrical system.
- Input voltage should be maintained between 6-8.4V, with a continuous current not below 1A.
- Failure to meet these requirements may result in damage to the lighting system and malfunction.
- Avoid operating LEDs and wiring in high-temperature environments.
- Keep cables away from wheels, moving parts, and sharp objects to prevent entanglement or damage.

- 本产品内含小零件，请谨防误吞，务必存放于儿童及宠物无法接触的地方；
- 本产品必须为14岁及以上人群操作。在操作过程中注意安全，避免因操作不当引发意外或损坏设备。
- 安装前请确保模型电源已完全断开，以保障操作安全；
- 请严格参照说明书指示正确连接线束，错误连接会导致短路并损坏电路系统。
- 输入电压请控制在6-8.4V以内，持续电流不低于1A；
- 未能满足上述条件会导致灯光系统损坏和无法正常工作。
- 请避免LED及线路在高温环境下运行；
- 确保线材避开车轮、传动部件及尖锐物体，防止电线被缠绕或破损。

«地址 Address»

广东省东莞市沙田镇稔洲山边路166号201室  
Room 201, 166 Shanbian Road, Renzhou, Shatian Town,  
Dongguan City, Guangdong Province, China

«联系电话 Contact Telephone»

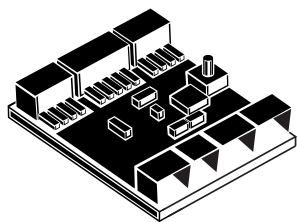
0769-85045987

«官网地址 Official Website»

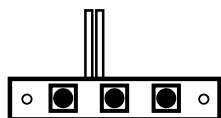
www.kkpit.com

# KKPIT<sup>®</sup>

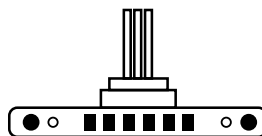
Dreams ignite power



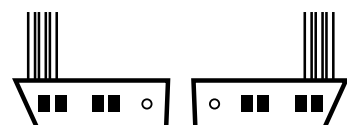
Lamp control unit  
灯控制单元  
KLU-0101



high-mounted stop lamp  
高位刹车灯  
KLU-0102

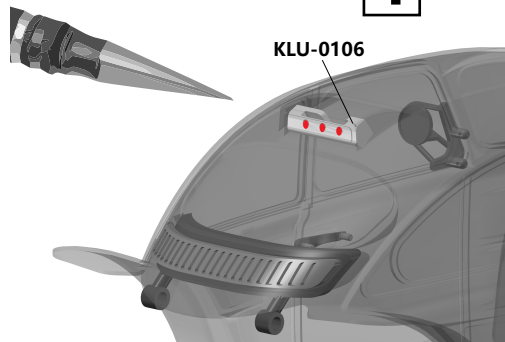


headlight  
前大灯  
KLU-0103



Turn signal L/R  
转向灯 L/R  
KLU-0104/5

### 1



请用户自备开孔器与记号笔。

操作时，将零件（编号：0106）作为定位治具紧贴于图示位置。

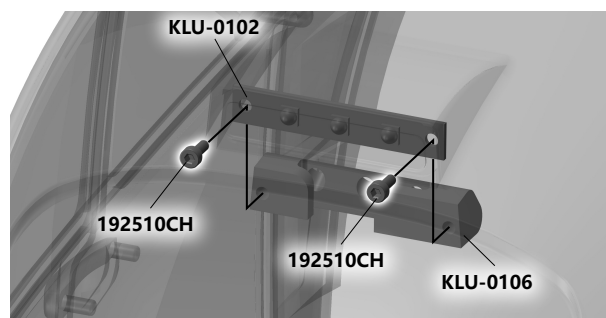
使用记号笔穿过治具上的定位孔，在车壳上标记孔位后再进行开孔，以确保开孔位置精准。

Please prepare a hole cutter and marker pen.

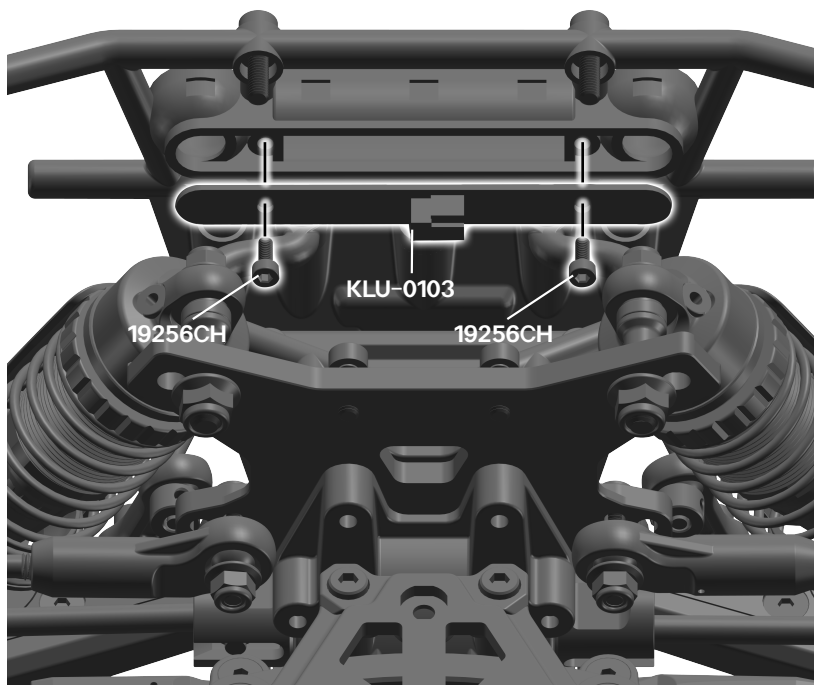
During installation, place part (No. 0106) as a positioning jig securely against the location indicated in the image.

Use a marker pen through the guide holes of the jig to mark drilling points on the body, ensuring accurate hole placement.

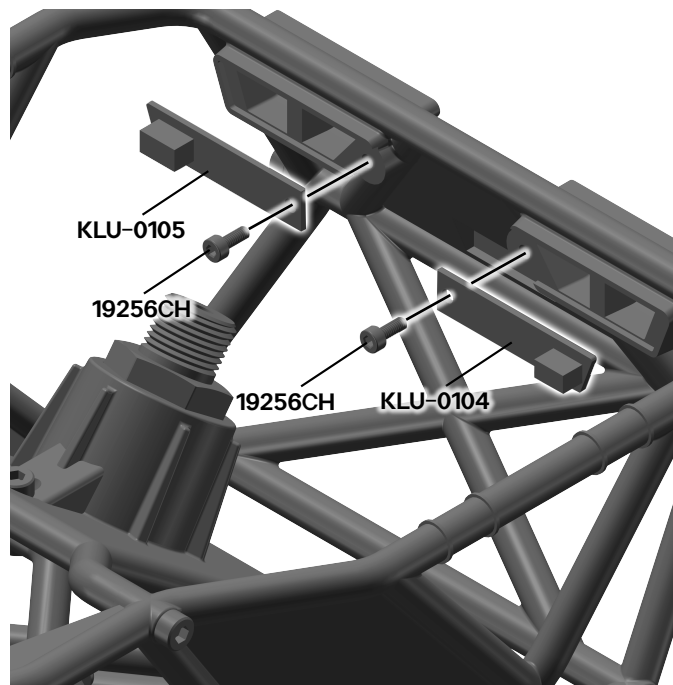
### 2



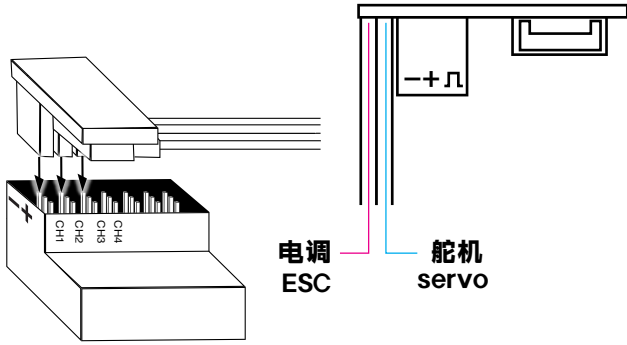
### 3



### 4



## 5

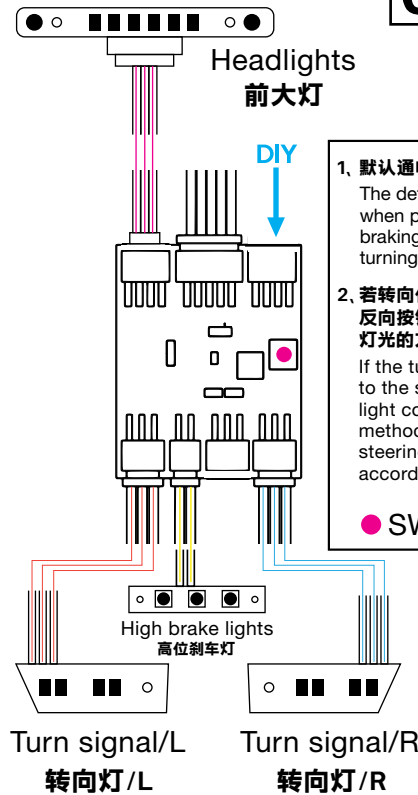


电调 ESC  
舵机 servo

灯光套件含一块集成电路板和集成三通道模块。安装时，请按图示将模块插入接收机对应通道。请注意接收机极性方向，部分品牌可能存在兼容性问题。图示中最左侧引脚为负极（-），安装前请确认接收机插座极性，确保灯光系统正常运作。

The lighting kit includes an integrated circuit board with a 3-channel module. Insert the module into the corresponding channel of the receiver as shown in the image. Note: Pay attention to polarity direction of the receiver. Some brands may have compatibility issues. The leftmost pin (-) is negative. Confirm the polarity of the receiver socket before installation to ensure proper function of the lighting system.

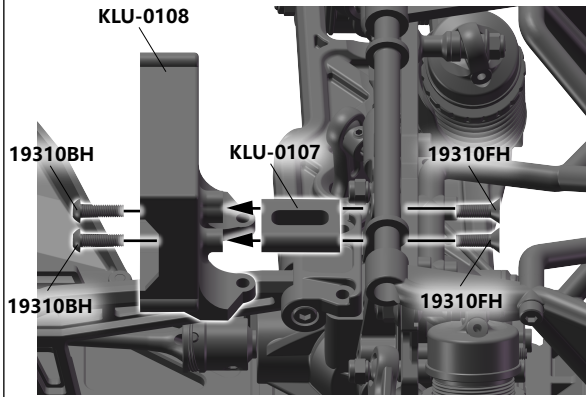
## 6



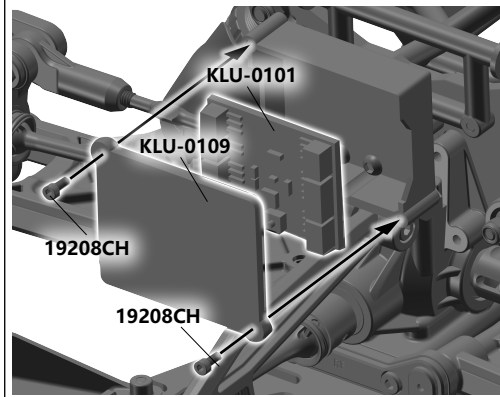
- 默认通电日行灯白色常亮，刹车时红色刹车灯亮。  
The default daytime running light is always white when powered on, the red brake light is on when braking, and the orange turn signal is on when turning.
- 若转向信号灯与手轮方向相反，则需按1次灯控板上反向按钮，此时上述通过手轮(向左向右)打方向开启灯光的方式相应对调。  
If the turn signal light is in the opposite direction to the steering wheel, press the reverse button on the light control unit once. At this time, the above method of turning on the light by turning the steering wheel (left to right) will be adjusted accordingly.

SW01 反向按钮 reverse button

## 7



## 8



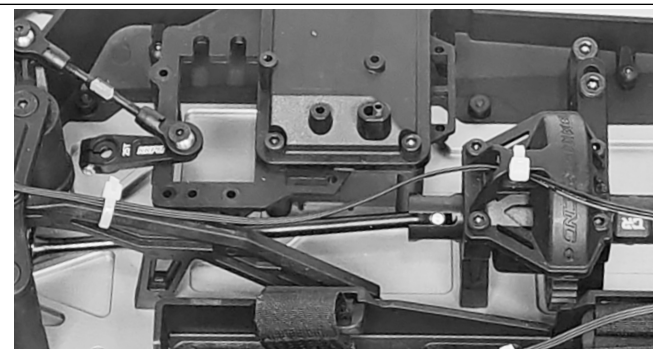
## 9

为保持线材整洁与安全，建议使用扎带及随车配件（如后备胎架自带的线夹）妥善固定所有线材。

请沿车架合理布置电线走向，并在关键位置（如图示）使用理线器与扎带加以固定，有效避免线材与其他部件发生干涉。

To keep wiring tidy and safe, use zip ties and included accessories (such as the wire clip on the spare tire mount) to secure all cables.

Route wires along the frame logically, and use cable ties and clamps at key points (as shown in the images) to fasten them properly and prevent interference with other components.



操作 operate	功能 function
Click CH3 单击第三通道按钮	turn on the headlights/turn off the full headlight group cycle 开启大灯/关闭全车灯组 循环
Double click CH3 quickly 快速双击第三通道按钮	Double flash on/off 双闪 开启/关闭
Steering wheel left 2 Wait for 3s 向左打两下手轮回中等待三秒（无其他操作）	Tail light color conversion 尾灯颜色红黄转换
Steering wheel right 2 Wait for 3s 向右打两下手轮回中等待三秒（无其他操作）	Enable reserved DIY CH 开启DIY通道

操作 operate	功能 function
Click CH3 单击第三通道按钮	turn on the headlights/turn off the full headlight group cycle 开启大灯/关闭全车灯组 循环
Double click CH3 quickly 快速双击第三通道按钮	Double flash on/off 双闪 开启/关闭
Steering wheel left 2 Wait for 3s 向左打两下手轮回中等待三秒（无其他操作）	Tail light color conversion 尾灯颜色红黄转换
Steering wheel right 2 Wait for 3s 向右打两下手轮回中等待三秒（无其他操作）	Enable reserved DIY CH 开启DIY通道